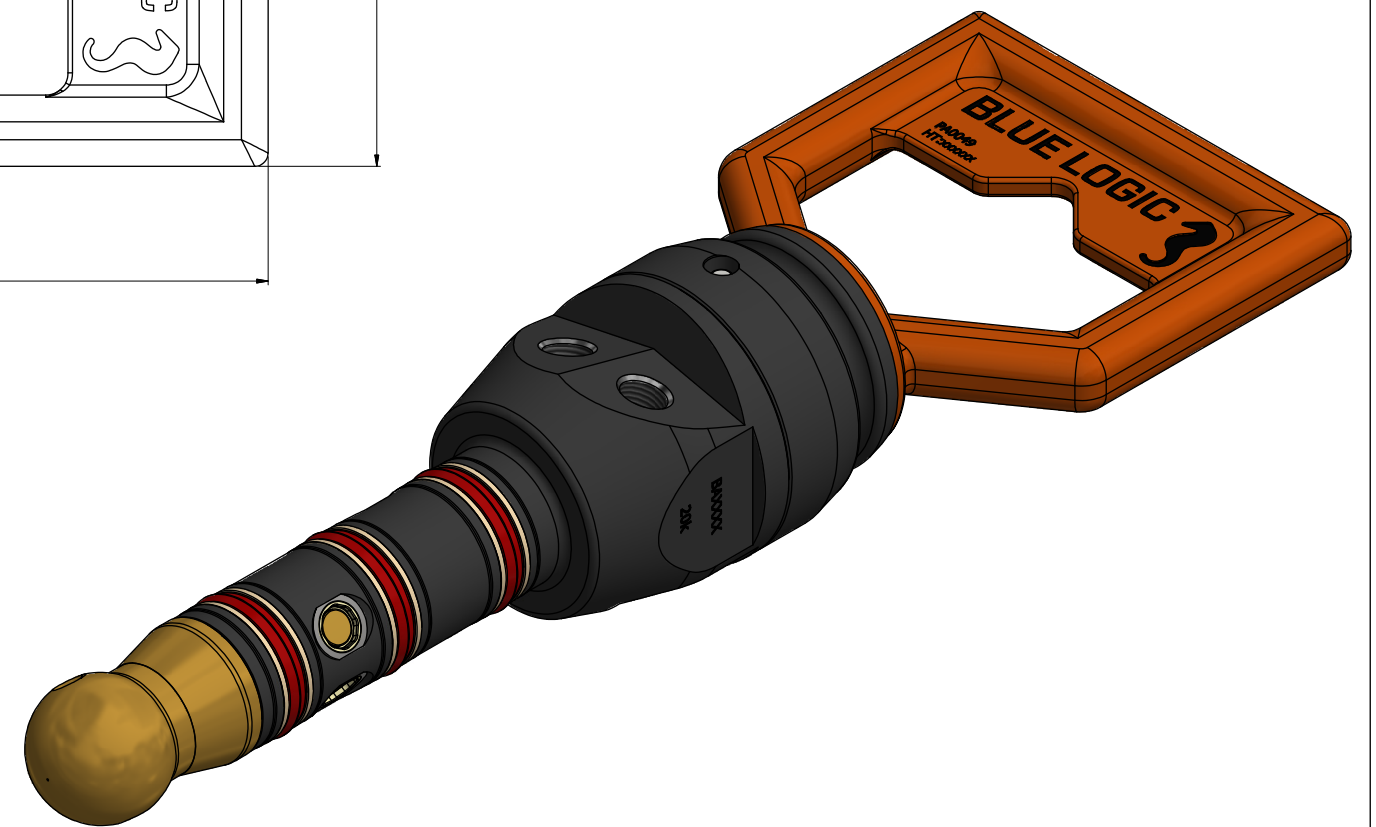
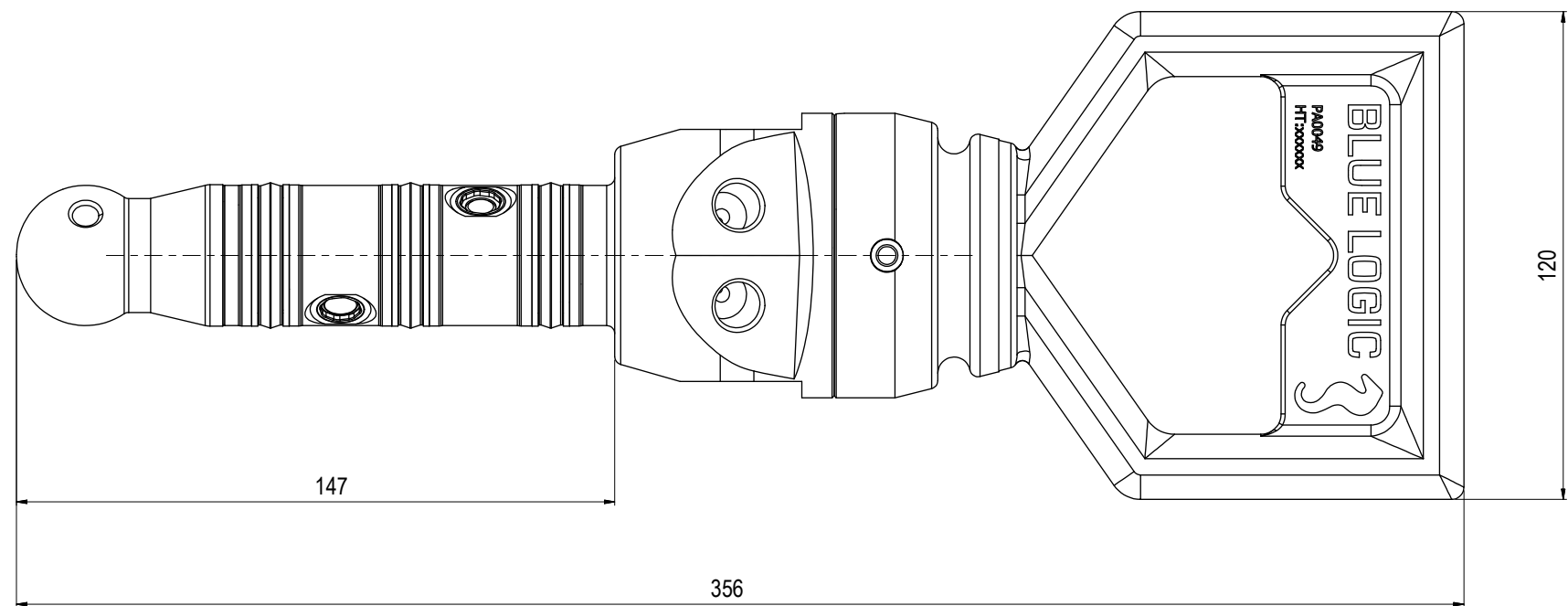
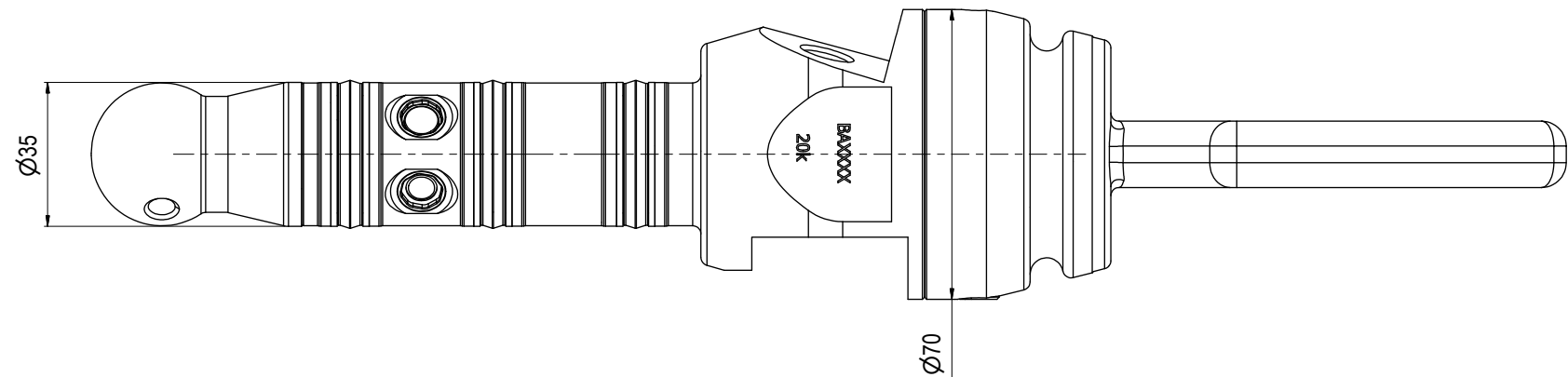


NOTE: 1
 DESIGN CODE:
 API 17H/6A

NOTE: 2
 TECHNICAL CLASSIFICATION:
 Article Type: 001-Hot Stabs
 Main Group: 1.01. Ø35 Hot Stab
 Intermediate Group: 1.1.01. Stab
 Sub Group: 1.1.1.02. Dual

NOTE: 3
 INTERFACE INFORMATION:
 Pressure Rating Bar: 1380
 Material: Intervention
 Weight: 3,2 kg
 Volume: 0,48 dm³
 Surface Area: 1201 cm²
 Hydraulic: BSP 1/4" 120° Cone
 Mechanical: N/A
 Electrical: N/A
 Com. & Protocol: N/A

NOTE: 4
 SPAREPARTS:
 BA5286



Rev.	Date	Reason for issue	Revision change	Made	Chk'd	Appr.
03	13.1.2022	9-IFU (Issued for Use)		WTJ	HNJ	WTJ
02	3.6.2014	9-IFU (Issued for Use)		WTJ	HNJ	WTJ
01	31.10.2011	Issued for Information		LGH	EKJ	HSE



Dwg Scale:	NTS
Dwg Proj:	
Dwg Format:	A3

Drawing title:	Ø35 DP Stab 20k Interv wCV BSP 1/4" 120° Cone	
Drawing number:	BA2011	Rev: 03